

TECHNICAL SPECIFICATION - P 40/2022

## **Palisade CJ Blok<sup>®</sup> P-40**

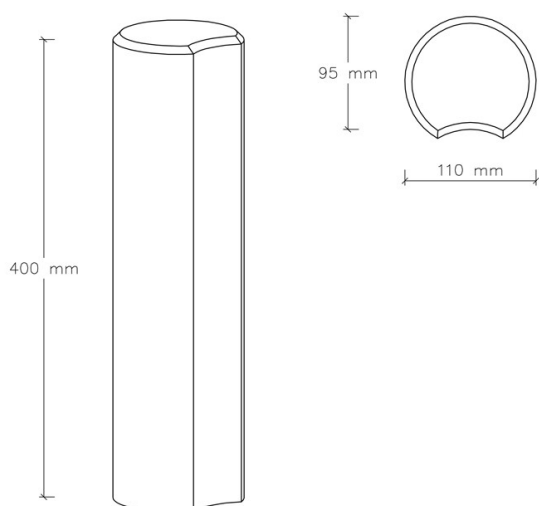
**1. Manufacturer:**

**CJ BLOK Sp. z o.o. Fabryka Elementów Budowlanych**  
ul. Pod Borem 25, 36-060 Głogów Małopolski

**2. Product name:**

**Palisade CJ Blok<sup>®</sup> P-40**

**3. Figure:**



**4. Description:**

Vibro-pressed palisade of unreinforced concrete with smooth texture.

**5. Intended use and scope of the construction product:**

Vibro-pressed unreinforced concrete palisade with smooth texture used in road construction to separate areas at the same level, or at different levels. For indoor and outdoor use.

6. Declared technical characteristics of the type of construction products:

Essential characteristics	Performance	Harmonised technical specification
Reaction to fire	A1 class	PN-EN 1340:2004 + AC:2007
External fire performance	Satisfactory	
Asbestos emissions	No asbestos	
Flexural strength	4 MPa, 2T class	
Skid/slip resistance	Satisfactory	
Thermal conductivity $\lambda_{10 \text{ dry}}$	for P=50%=1,24 W/(mK) as EN 13369; for P=90%=1,42 W/(mK) as EN 13369	
Durability	Satisfactory	

6a. Additional declared parameters:

Product characteristics	Technical parameters		Technical specifications
Dimensions and tolerances	Dimensions	as shown in the figure Thickness: 95 mm	PN-EN 1340:2004 + AC:2007
	Dimensional tolerances	Length: - mm width: - mm height: - mm	
Flatness and undulation deviations (max. convex., max. concave.)	-		
Resistance to freeze-thaw with de-icing salts, average (weight loss)	-		
Water absorption	-		
Wear resistance	-		
Unit weight	8.4 kg		
Qty per pallet	80 pcs		
Full pallet weight	690 kg		
Comments	-		

Certificates:

Certificate - EN ISO 9001: 2015 no. CQS 2135/2022

Certificate - IQNet ISO 9001: 2015 no. CZ-2135/2022

The technical specification document generated has no legal value without the signature of an authorised person.  
Provides technical product information only.

**I declare under full responsibility that the performance of the product described in point 2 is in conformity  
with the performance declared in point 6 and 6a.**

.....  
(manufacturer's stamp)

.....  
(name and signature of the authorised person)