

TECHNICAL SPECIFICATION - PKW 27-1020/2022

## **Chimney-ventilation hollow block CJ Blok<sup>®</sup> PKW 27-1020: CONCRETE OUTER WALL ELEMENT**

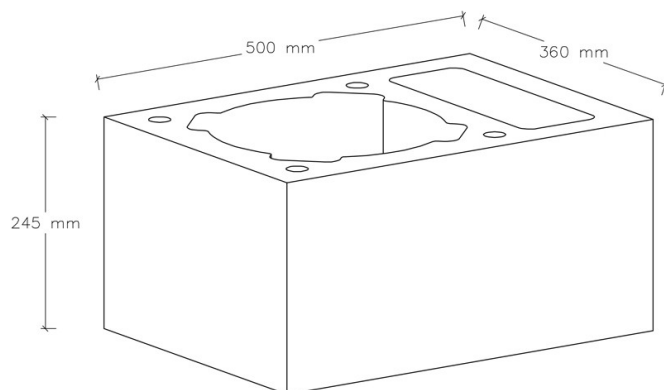
**1. Manufacturer:**

**CJ BLOK Sp. z o.o. Fabryka Elementów Budowlanych**  
Ul. Pod Borem 25, 36-060 Głogów Małopolski

**2. Product name:**

**Chimney-ventilation hollow block CJ Blok<sup>®</sup> PKW-27-1020**  
**CONCRETE OUTER WALL ELEMENT**

**3. Figure:**



**4. Description:**

Vibro-pressed expanded clay-perlite outer wall of the chimney, single-channel chimney hollow block with a ventilation duct.

**5. Intended use and scope of the construction product:**

Intended for building system chimneys, forming a chimney outer wall, comprising a flue pipe, together with a parallel air duct used for supplying air to the boiler or for discharging air from the room. It is compatible with devices generating combustion products at a temperature of up to 600°C, resistant to soot fire.

6. Declared technical characteristics of the type of construction products:

Essential characteristics	Performance		Harmonised technical specification
Thermal resistance	0,14 m <sup>2</sup> K/W		EN 12446:2011
Resistance to fire internal to external	Resistance to temperature changes	T 600	
	Thermal resistance	G50 Mn, G20 Mi	
Resistance to fire external to external	LA90 (EI 90) - DIN 18160-60:2014-02		
Reaction to fire	A1 class		
Compressive strength	40m		
Flexural strength	flexural strength under wind pressure	1400 mm	
Durability: resistance to alternating freeze-thaw	resistance to alternating freeze-thaw	25	
Dangerous substances	None		

NPD – wartość użytkowa nieokreślona; ang.: No performance determined

6a. Additional declared parameters:

Product characteristics	Technical parameters	Technical specifications
Dimensions	Length: 500 mm	EN 771-3:2011+A1:2015
	Width: 360 mm	
	Height: 245 mm	
Tolerance of performance: Category D4	Length: +1-3 mm	
	Width: +1-3 mm	
	Height: ±1 mm	
Internal dimensions	Diameter: 270 mm /length x width- 1x(280x100) mm	
Equivalent thermal conductivity	0,17 W/(mK)	EN 12667
Compressive strength	3 MPa (perpendicularly to the laying surface 500 x 360)	EN 13069
Net density	850 kg/m <sup>3</sup>	EN 12446
Connecting elements	Thin layer mortar CJ Block - BLOKkom ZCSK-10	PN-EN 998-2:2012
	polyurethane adhesives	
Unit weight	20 kg	
Qty per pallet	28 pcs	
Full pallet weight	590 kg	
Comments	-	

**Certificates:**

Factory Production Control certificate no. 1020- CPR -030034992

Certificate - EN ISO 9001: 2015 no. CQS 2135/2022

Certificate - IQNet ISO 9001: 2015 no. CZ-2135/2022

The technical specification document generated has no legal value without the signature of an authorised person.  
Provides technical product information only.

**I declare under full responsibility that the performance of the product described in point 2 is in conformity with the performance declared in point 6 and 6a.**

.....

(manufacturer's stamp)

.....

(name and signature of the authorised person)