

TECHNICAL SPECIFICATION - PBF-24/12,5/2022

Concrete foundation hollow block **CJ Blok**[®] PBF-24/12,5

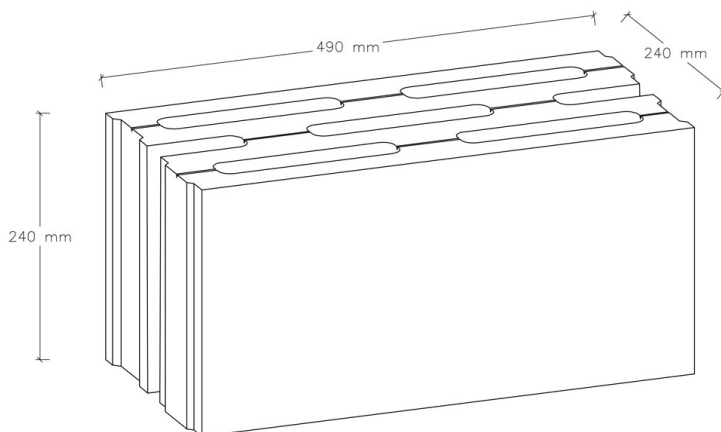
1. Manufacturer:

CJ BLOK Sp. z o.o. Fabryka Elementów Budowlanych
ul. Pod Borem 25, 36-060 Głogów Małopolski

2. Product name:

Concrete foundation hollow block **CJ Blok[®] PBF-24/12,5**

3. Figure:



4. Description:

Vibro-pressed concrete hollow block with smooth texture.

5. Intended use and scope of the construction product:

Concrete masonry unit made from standard aggregates for masonry walls, pillars and partitions. For plastered or non-plastered, load-bearing and non-load-bearing walls in construction and civil engineering. The units are suitable for all types of walls, including single-layer walls, cavity walls, partitions, retaining and basement walls.

6. Declared technical characteristics of the type of construction products:

Essential characteristics	Performance		Harmonised technical specification
Dimensions and tolerances	Dimensions	Length: 490 mm Width: 240 mm Height: 240 mm	EN 771-3:2011+A1:2015
	Dimensional tolerances	length: +3-5 mm width: +3-5 mm height +3-5 mm category: D1	
Form and structure	Group 2 as EN 1996-1-1		
Compressive strength	12.5 MPa (perpendicularly to the laying surface 490 x 240)		
Dimensional stability	Moisture movement 1,0 mm/m		
Bond strength	Shear bond strength	Fixed value 0,15 MPa as EN 998-2 ANNEX C	
	Flexural strength of the weld	NPD	
Reaction to fire	Euroclass A1		
Water absorption	by capillarity: 5,5 g/(m ² s)		
Water vapour permeability	Water vapour diffusion coefficient: 5/15 as EN 1745		
Direct airborne sound insulation	gross density	1550 kg/m ³ ±10%	
	Configuration	as above	
	Dimensions and tolerances [mm]	as above	
Thermal resistance	Thermal conductivity λ _{10,dry,mat} : 0,74 W/(mK) as EN 1745, the means of evaluation used S1		
Durability against freeze-thaw	Frost-resistant		
Dangerous substances	NPD		

NPD – wartość użytkowa nieokreślona; ang.: No performance determined

6a. Additional declared parameters:

Product characteristics	Technical parameters	Technical specifications
Fire classification	-	-
Sound insulation	- dB	-
Unit weight	45 kg	
Qty per pallet	30 pcs	
Full pallet weight	1380 kg	
Comments	-	

Certificates:

Factory Production Control Certificate No. 1020-CPR-030037272.

Certificate - EN ISO 9001: 2015 no. CQS 2135/2022

Certificate - IQNet ISO 9001: 2015 no. CZ-2135/2022

The technical specification document generated has no legal value without the signature of an authorised person.
Provides technical product information only.

**I declare under full responsibility that the performance of the product described in point 2 is in conformity
with the performance declared in point 6 and 6a.**

.....

(manufacturer's stamp)

..... (name and signature of the authorised person)