

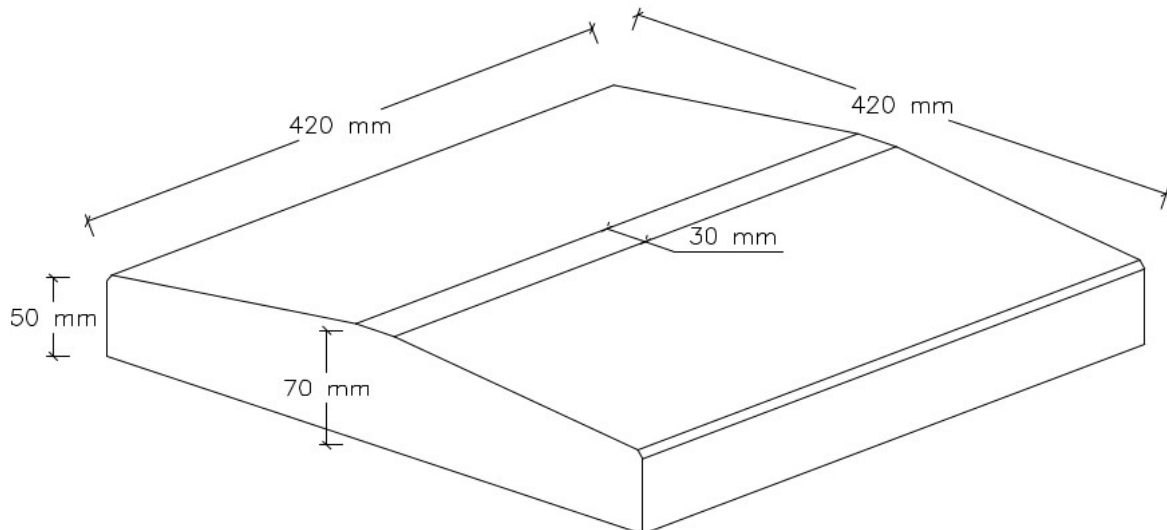
TECHNICAL SPECIFICATION - DB-42/2022

Concrete double-slope cap CJ Blok[®] DB-42**1. Manufacturer:**

CJ BLOK Sp. z o.o. Fabryka Elementów Budowlanych
ul. Pod Borem 25, 36-060 Głogów Małopolski

2. Product name:

Concrete double-slope cap CJ Blok[®] DB-42

3. Figure:**4. Description:**

Vibro-pressed concrete double-slope cap with smooth texture.

5. Intended use and scope of the construction product:

Concrete masonry unit made from standard aggregates for masonry walls, pillars and partitions. For plastered or non-plastered, load-bearing and non-load-bearing walls in construction and civil engineering. The units are suitable for all types of walls, including single-layer walls, cavity walls, partitions, retaining and basement walls.

6. Declared technical characteristics of the type of construction products:

Essential characteristics	Performance		Harmonised technical specification
Dimensions and tolerances	Dimensions	Length: 420 mm Width: 420 mm Height: 90 mm	EN 771-3:2011+A1:2015
	Dimensional tolerances	length: +1-3 mm width: +1-3 mm height: ±2 mm category: D2	
Form and structure	Group 1 as EN 1996-1-1		
Compressive strength	15 MPa (perpendicularly to the laying surface 420 x 420)		
Dimensional stability	Moisture movement 1,0 mm/m		
Bond strength	Shear bond strength	Fixed value 0,15 MPa as EN 998-2 ANNEX C	
	Flexural strength of the weld	NPD	
Reaction to fire	Euroclass A1		
Water absorption	by capillarity: 5,9 g/(m ² s)		
Water vapour permeability	Water vapour diffusion coefficient: 5/15 as EN 1745		
Direct airborne sound insulation	gross density	2200 kg/m ³ ±10%	
	Configuration	as above	
	Dimensions and tolerances	as above	
Thermal resistance	Thermal conductivity λ _{10,dry,mat} : for P50%=1,24 [W/(mK)] as EN 1745, the means of evaluation used S1: for P90%=1,42 [W/(mK)] as EN 1745, the means of evaluation used S1		
Durability against freeze-thaw	Frost-resistant		
Dangerous substances	NPD		

NPD – wartość użytkowa nieokreślona; ang.: No performance determined

6a. Additional declared parameters:

Product characteristics	Technical parameters	Technical specifications
Fire classification	-	-
Unit weight	21.9 kg	
Qty per pallet	32 pcs	
Full pallet weight	720 kg	
Comments	-	

Certificates:

Factory Production Control Certificate No. 1020-CPR-030037272.
Certificate - EN ISO 9001: 2015 no. CQS 2135/2022
Certificate - IQNet ISO 9001: 2015 no. CZ-2135/2022

The technical specification document generated has no legal value without the signature of an authorised person.
Provides technical product information only.

I declare under full responsibility that the performance of the product described in point 2 is in conformity with the performance declared in point 6 and 6a.

.....
(manufacturer's stamp)

.....
(name and signature of the authorised person)