

TECHNICAL SPECIFICATION - PBK-12/2022

## Concrete construction hollow block CJ Blok<sup>®</sup> PBK-12

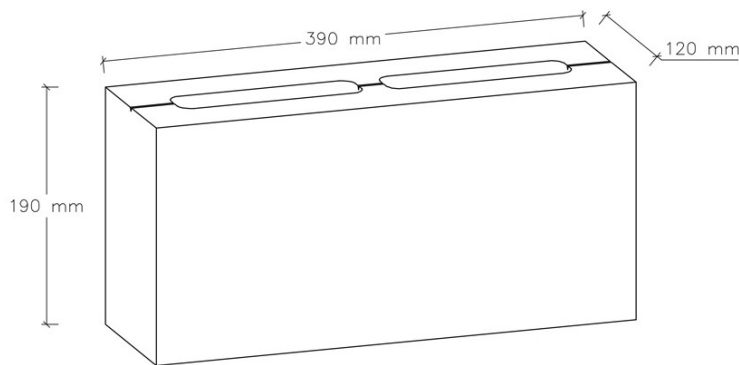
**1. Manufacturer:**

**CJ BLOK Sp. z o.o. Fabryka Elementów Budowlanych**  
ul. Pod Borem 25, 36-060 Głogów Małopolski

**2. Product name:**

**Concrete construction hollow block CJ Blok<sup>®</sup> PBK-12**

**3. Figure:**



**4. Description:**

Vibro-pressed concrete hollow block with smooth texture.

**5. Intended use and scope of the construction product:**

Concrete masonry unit made from standard aggregates for masonry walls, pillars and partitions. For plastered or non-plastered, load-bearing and non-load-bearing walls in construction and civil engineering. The units are suitable for all types of walls, including single-layer walls, cavity walls, partitions, retaining and basement walls.

6. Declared technical characteristics of the type of construction products:

Essential characteristics	Performance		Harmonised technical specification
Dimensions and tolerances	Dimensions	Length: 390 mm Width: 120 mm Height: 190 mm	EN 771-3:2011+A1:2015
	Dimensional tolerances	length: +1-3 mm width: +1-3 mm height: ±2 mm category: D2	
Form and structure	Group 2 as EN 1996-1-1		
Compressive strength	20 MPa (perpendicularly to the laying surface 390 x 120)		
Dimensional stability	Moisture movement 1,0 mm/m		
Bond strength	Shear bond strength	Fixed value 0,15 MPa as EN 998-2 ANNEX C	
	Flexural strength of the weld	NPD	
Reaction to fire	Euroclass A1		
Water absorption	by capillarity: 3,0 g/(m <sup>2</sup> s)		
Water vapour permeability	Water vapour diffusion coefficient: 5/15 as EN 1745		
Direct airborne sound insulation	gross density	1780 kg/m <sup>3</sup> ±10%	
	Configuration	as above	
	Dimensions and tolerances [mm]	as above	
Thermal resistance	Thermal conductivity λ <sub>10,dry,mat</sub> : for P50%=0,82 [W/(mK)] as EN 1745, the means of evaluation used S1; for P90%=1,01 [W/(mK)] as EN 1745, the means of evaluation used S1		
Durability against freeze-thaw	Frost-resistant		
Dangerous substances	NPD		

NPD – wartość użytkowa nieokreślona;

ang.: No performance determined

6a. Additional declared parameters:

Product characteristics	Technical parameters	Technical specifications
Fire classification	-	-
Sound insulation	Rw 52 (-1; -2) dB	PN-EN ISO 10140-2:2011, PN-EN ISO 10140-4:2011
Unit weight	15.9 kg	
Qty per pallet	80 pcs	
Full pallet weight	1300 kg	
Comments	-	

**Certificates:**

Factory Production Control Certificate No. 1020-CPR-030037272.

Certificate - EN ISO 9001: 2015 no. CQS 2135/2022

Certificate - IQNet ISO 9001: 2015 no. CZ-2135/2022

The technical specification document generated has no legal value without the signature of an authorised person.  
Provides technical product information only.

**I declare under full responsibility that the performance of the product described in point 2 is in conformity with the performance declared in point 6 and 6a.**

.....

(manufacturer's stamp)

.....

(name and signature of the authorised person)